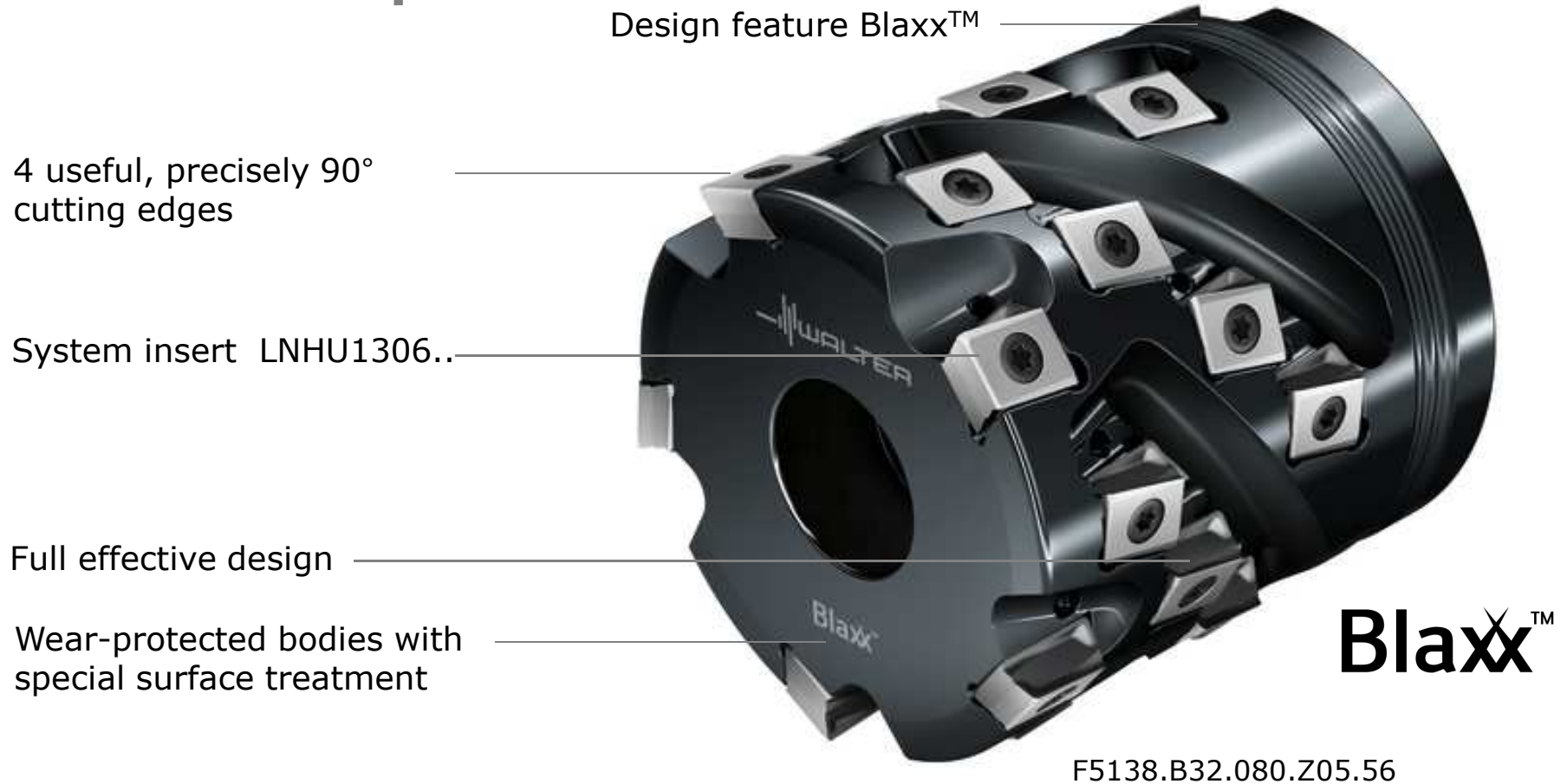


Blaxx™ Helical mill F5138

1. Product description



Blaxx™ Helical mill F5138

1. Product description, body

- **Designation F5138..**

- Ø 40-80 mm
 - One pitch
 - Two cutting length
 - ScrewFit, Weldon, shell type
- Ø 1,5"-3" inch
 - One pitch
 - Short cutting length
 - ScrewFit, Weldon, shell type

Blaxx™



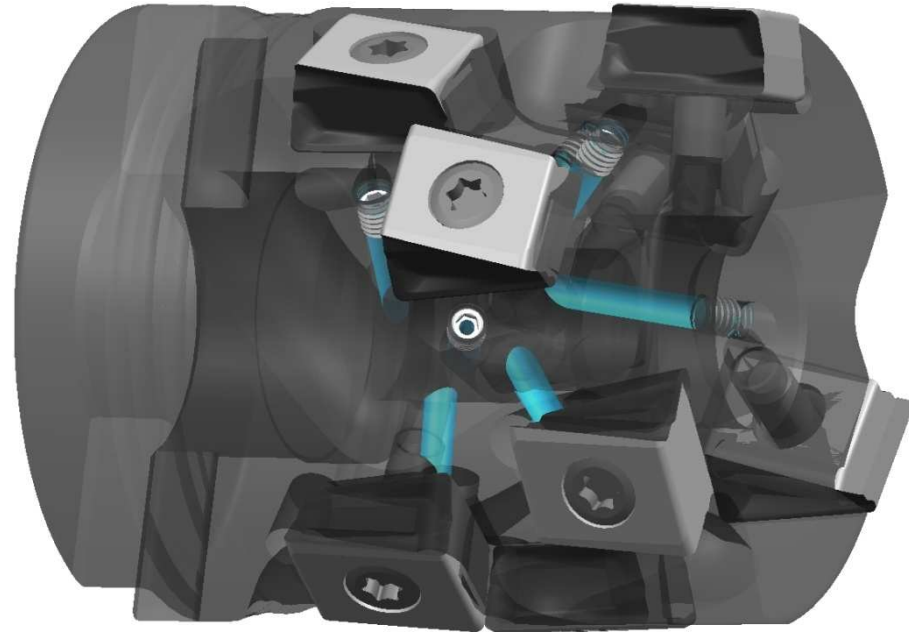
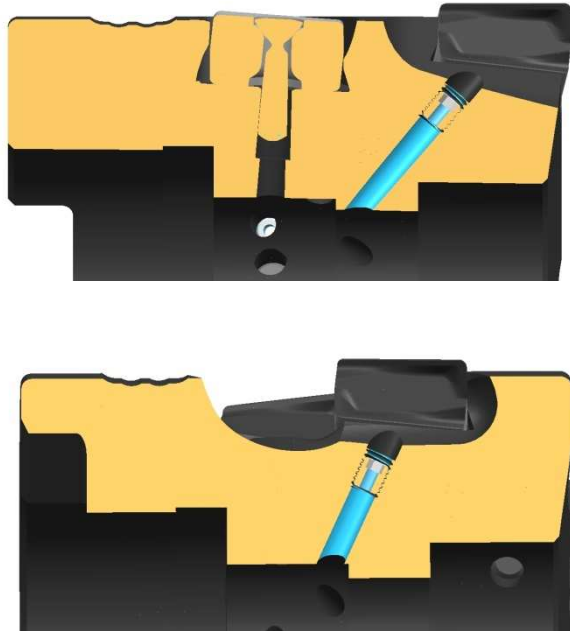
F5138.T36.040.Z02.34

Blaxx™ Helical mill F5138

1. Product description, body

- **Internal coolant supply**

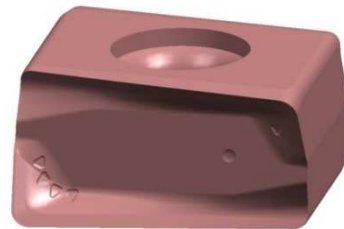
- to every cutting edge
- Coolant supply nozzle for high pressure coolant as accessory



Blaxx™ Helical mill F5138

1. Product description, insert

- **Rhombic negative with 4 cutting edges**
- **System insert LNHU1306... from the shoulder milling program F5141**
- **completely ground (Circumference)**
 - Geometry L55T and L85T



powered by Tiger-tec® Silver

The logo for WALTER, featuring a stylized vertical bar composed of four colored segments (blue, yellow, red, green) to the left of the word "WALTER" in a bold, white, sans-serif font.

WALTER



BlaxxTM
powered by Tiger-tec[®] Silver